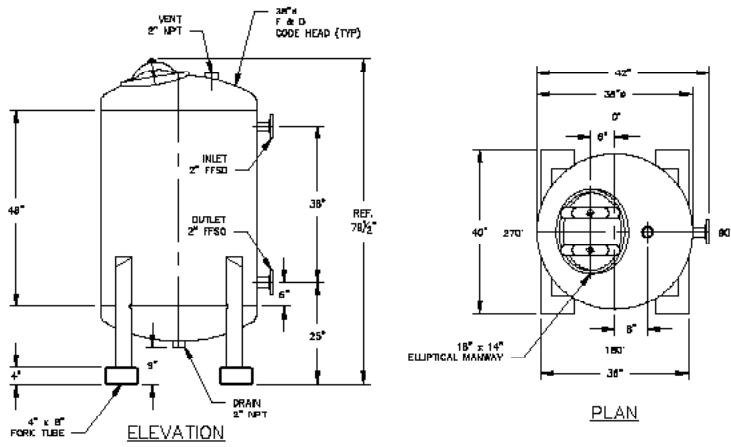




### GLY-1800

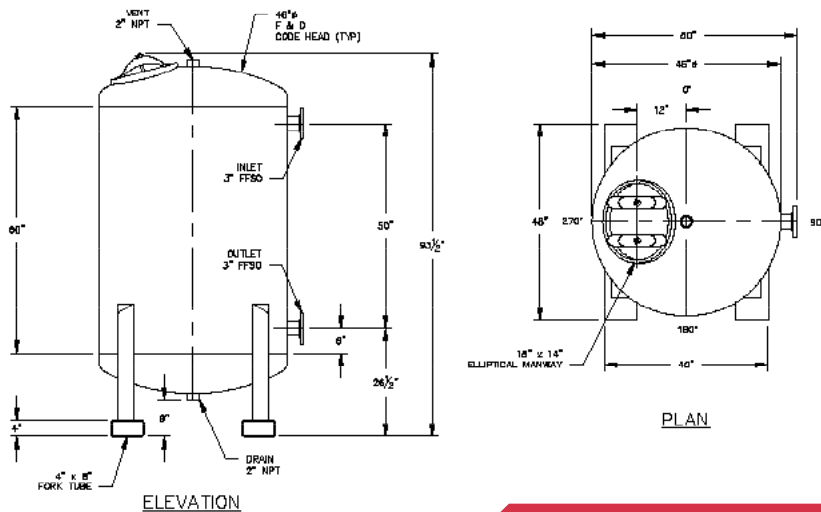
- Epoxy lined, 516-70 carbon steel vessel
- Holds up to 1830 LBS of GlyceRx™.
- Vessel access is a 14"X 18" top man way.
- Side man ways are available upon special order.
- Maximum operating pressure: 75 PSIG.
- Maximum operating temp: 130° F.



GLY-1800

### GLY-3200

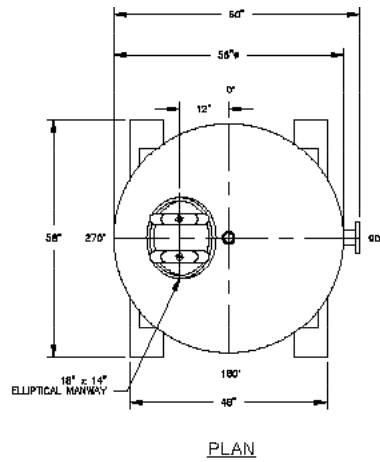
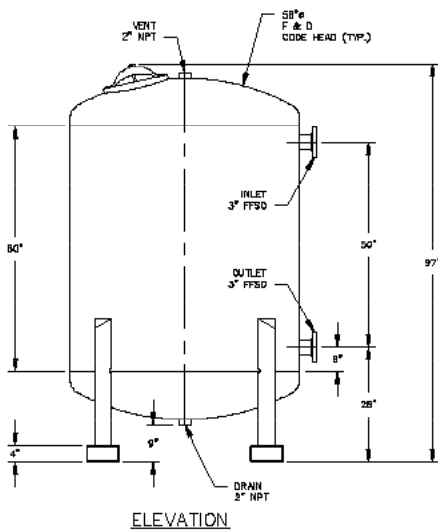
- Epoxy lined, 516-70 carbon steel vessel
- Holds up to 3200 LBS of GlyceRx™.
- Vessel access is a 14"X 18" top man way.
- Side man ways are available upon special order.
- Maximum operating pressure: 75 PSIG.
- Maximum operating temp: 130° F.



GLY-3200

## GLY-4000

- Epoxy lined, 516-70 carbon steel vessel
- Holds up to 4000 LBS of GlyceRx™.
- Vessel access is a 14"X 18" top man way.
- Side man ways are available upon special order.
- Maximum operating pressure: 75 PSIG.
- Maximum operating temp: 130° F.



GLY-4000